

## Lms16LED series



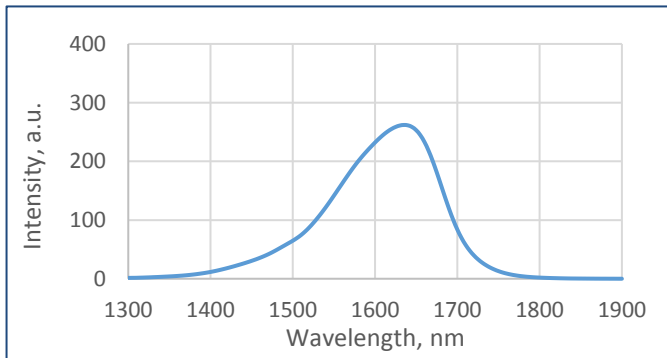
Device parameters	Symbol	Value	Units
Operating/ storage temperature	$T_{stg}$	-60..+90*	$^{\circ}\text{C}$
Soldering temperature (can be applied for not more than 5 secs)	$T_{sol}$	+180	$^{\circ}\text{C}$

\*Temperature range may vary for different packaging types.

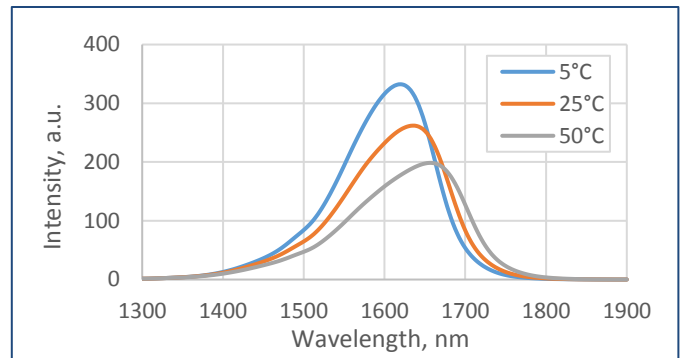
All parameters refer to LEDs in TO18 package with a cavity and operation at ambient temperature  $25^{\circ}\text{C}$  unless otherwise stated.

LED parameters	Conditions	Symbol	Value	Units
Peak emission wavelength <sup>1</sup>	qCW mode <sup>3</sup> $I = 25 \text{ mA}$	$\lambda_p$	1.60 - 1.69	$\mu\text{m}$
FWHM of the emission band <sup>1</sup>	qCW mode <sup>3</sup> $I = 25 \text{ mA}$	FWHM	120 - 150	nm
Average optical power (minimal / typical) <sup>1</sup>	qCW mode <sup>3</sup> $I = 200 \text{ mA}$	$P_{qCW}$	min 7 / typ 9	mW
Peak optical power (minimal / typical) <sup>2</sup>	Pulse mode <sup>4</sup> $I = 1 \text{ A}$	$P_{pul}$	min 20 / typ 24	mW
Maximum operating current	qCW mode <sup>3</sup>	$I_{qCW}$	200	mA
	Pulse mode <sup>4</sup>	$I_{pul}$	1	A
	DC mode <sup>5</sup>	$I_{DC}$	100	mA
Forward voltage <sup>1</sup>	qCW mode <sup>3</sup> $I = 200 \text{ mA}$	V	0.7 - 1.1	V

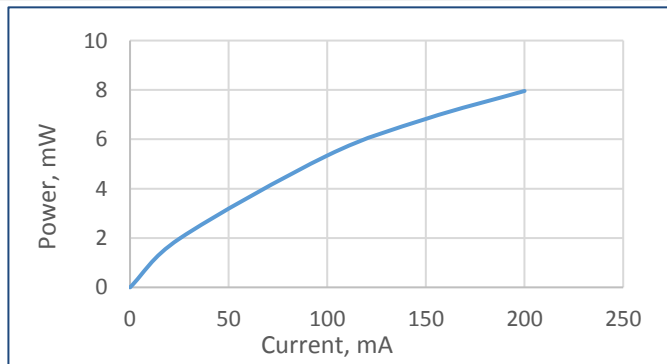
Typical spectrum (qCW<sup>3</sup>, 25 mA)



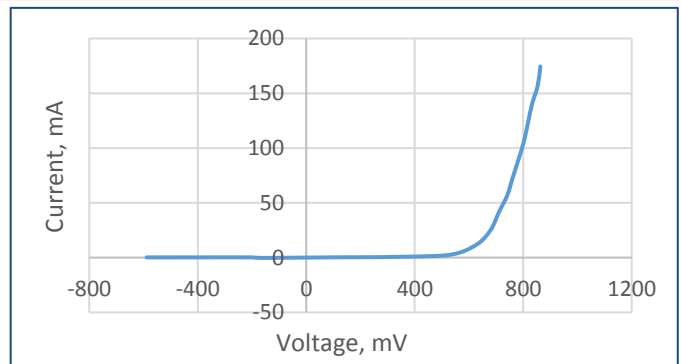
Spectra at different temperatures (qCW<sup>3</sup>, 25 mA)



Typical optical power characteristic (qCW<sup>3</sup>)



Typical current-voltage characteristic (qCW<sup>3</sup>)



<sup>1</sup> Parameter tested for each device.

<sup>2</sup> Parameter tested for representative sampling.

<sup>3</sup> qCW mode: repetition rate: 0.5 KHz, pulse duration: 1 ms, duty cycle: 50%.

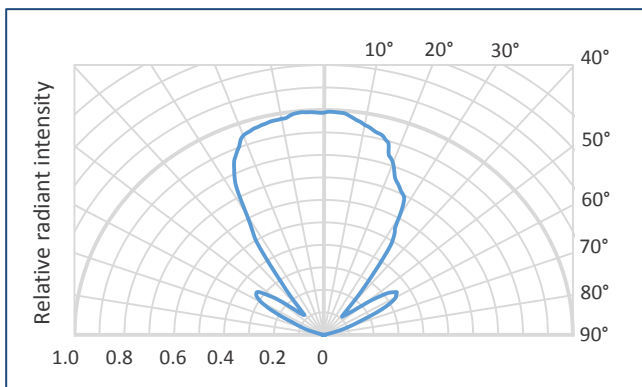
<sup>4</sup> Pulse mode: repetition rate: 0.5 KHz, pulse duration: 20  $\mu\text{s}$ , duty cycle: 1%.

<sup>5</sup> DC mode: direct current.

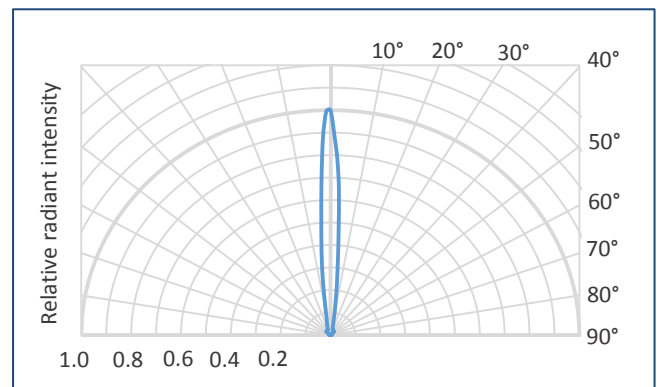
Packages	Model
TO-18 with a cap with a glass window	Lms16LED
TO-18 with a parabolic reflector without a glass window	Lms16LED-R
TO-18 with a parabolic reflector with a glass window	Lms16LED-RW
TO-5 with a built-in thermocooler and thermoresistor, covered by a cap with a glass window	Lms16LED-TEM
TO-5 with a built-in thermocooler and thermoresistor, covered by a parabolic reflector with a glass window	Lms16LED-TEM-R

**Radiant characteristics (far-field pattern)**

TO-18 package with a cap



TO-18 package with a parabolic reflector

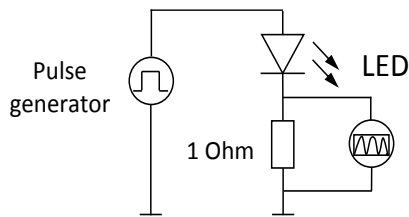


**Related products:**

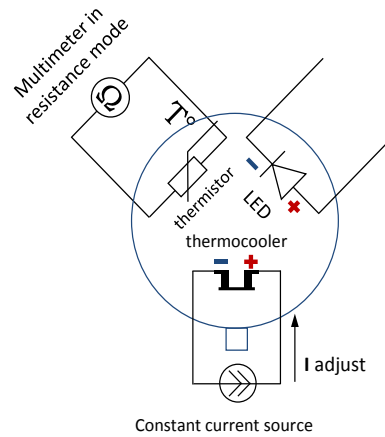
- **Photodiodes Lms24PD, Lms25PD series** - detectors of mid-infrared radiation;
- **LED drivers (D-41i, D-51i, minidrivers mD-1c, mD-1p)** - provide LED power supply in pulse modes.

To drive the LED we recommend the following basic circuit connections:

### LED basic circuit connection

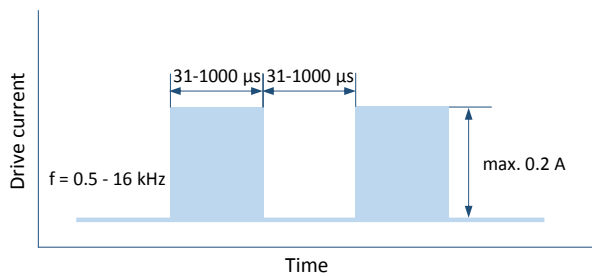


### LED with thermoelectric module basic circuit connection

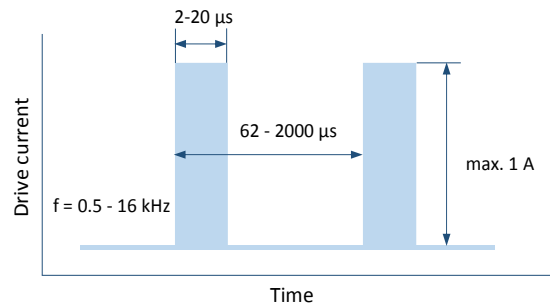


We recommend using **Quasi Continuous Wave (qCW) mode** with a duty cycle 50% or 25% to obtain maximum average optical power and short **Pulse modes** to obtain maximum peak power.

### Quasi Continuous Wave (qCW) mode



### Pulse mode

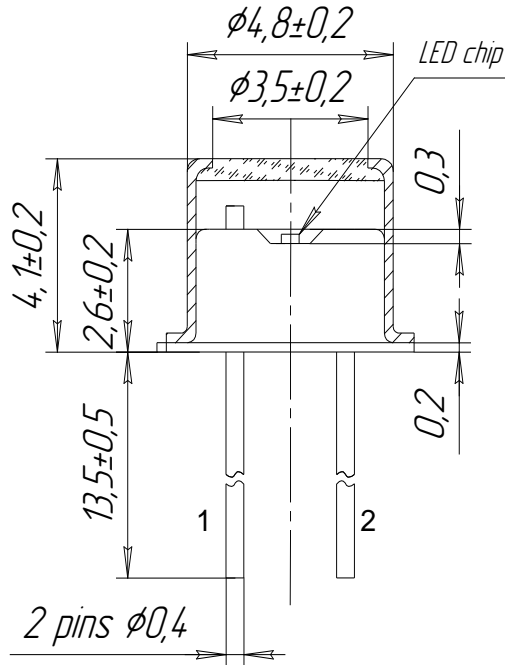


### IMPORTANT CAUTIONS:

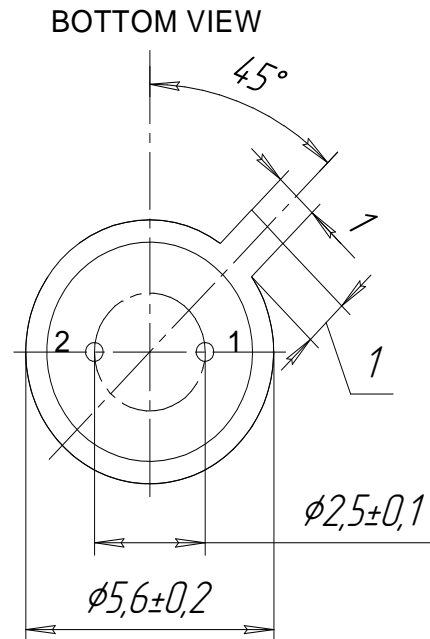
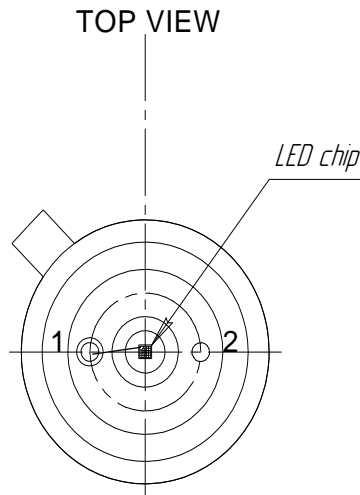
- please check your connection circuit before turning on the LED;
- please mind the LED polarity: anode is marked with a RED dot; REVERSE voltage applying is FORBIDDEN;
- please do not connect the LED to the multimeter;
- please control the CURRENT applied to the LED in order NOT to EXCEED the maximum allowable values.

Technical Drawings

Lms16LED

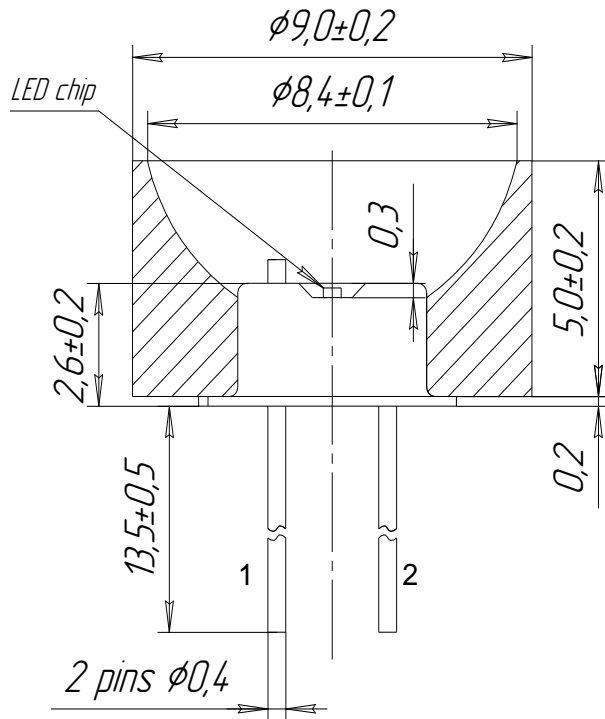


1 - LED anode  
2 - LED cathode



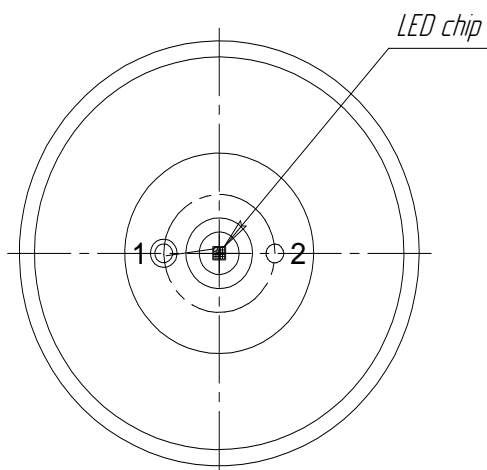
Technical Drawings

Lms16LED-R

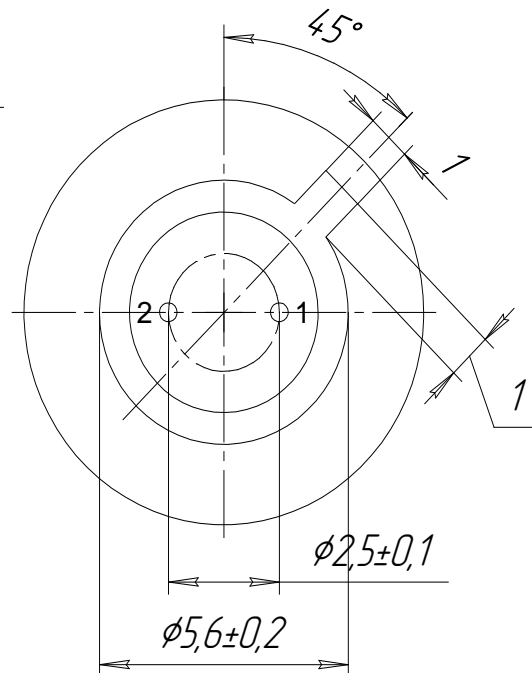


1 - LED anode  
2 - LED cathode

TOP VIEW

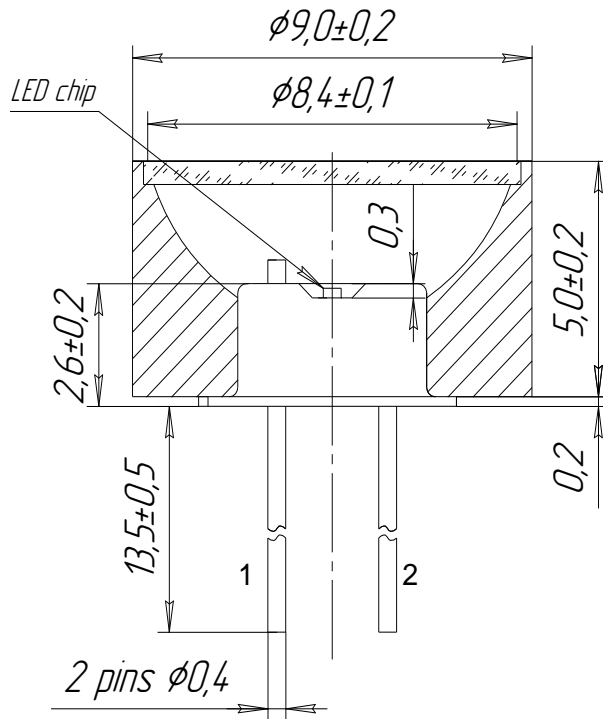


BOTTOM VIEW



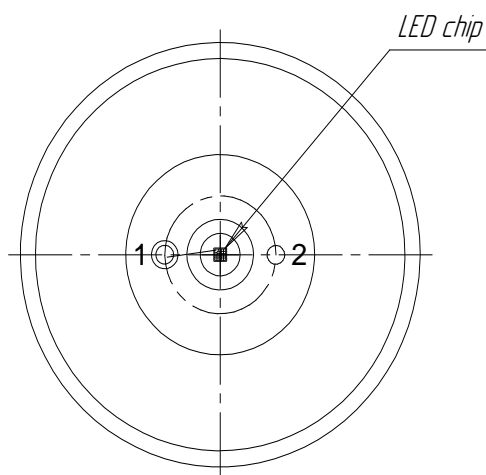
Technical Drawings

Lms16LED-RW

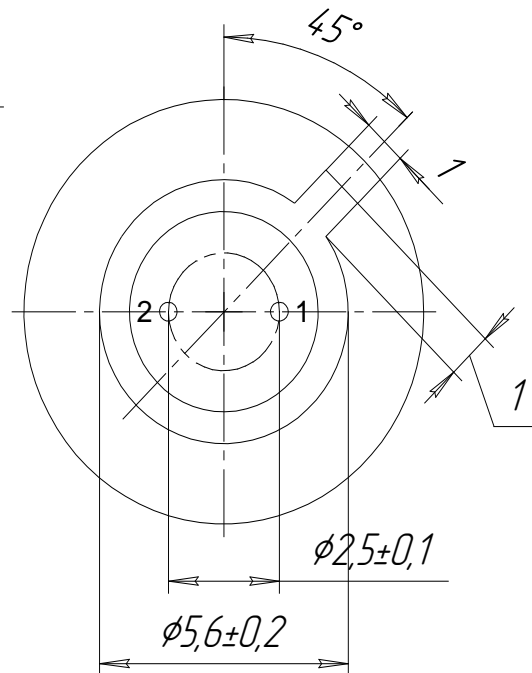


1 - LED anode  
2 - LED cathode

TOP VIEW

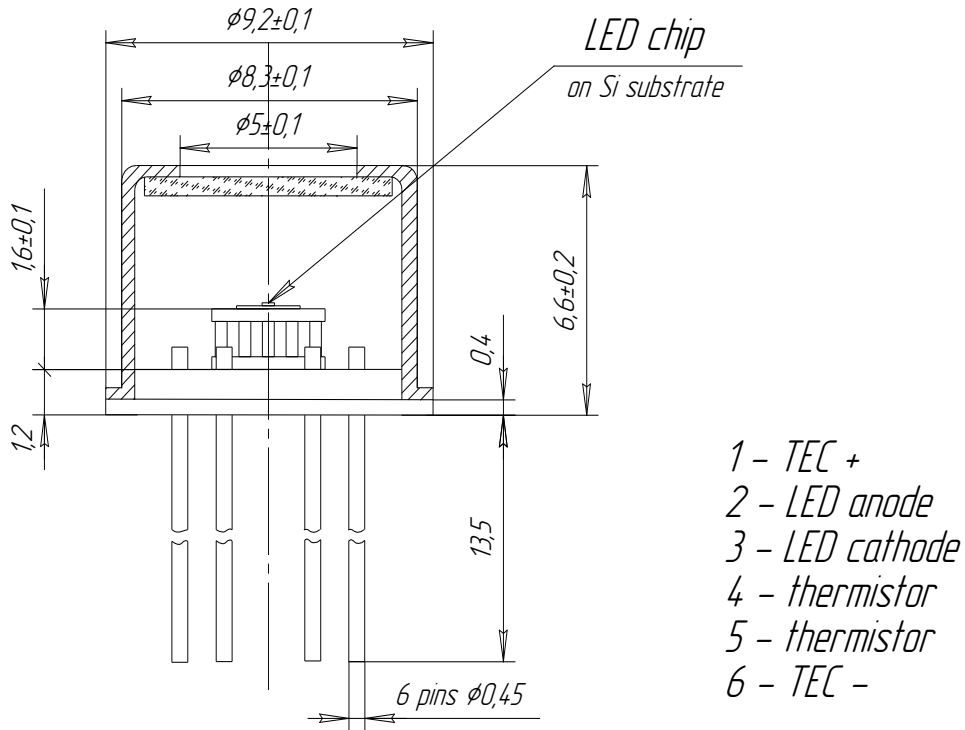


BOTTOM VIEW



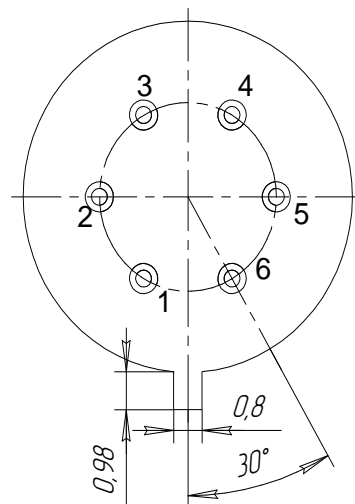
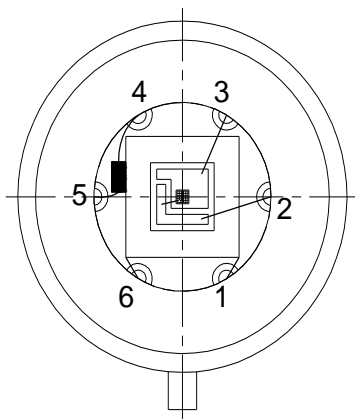
Technical Drawings

Lms16LED-TEM



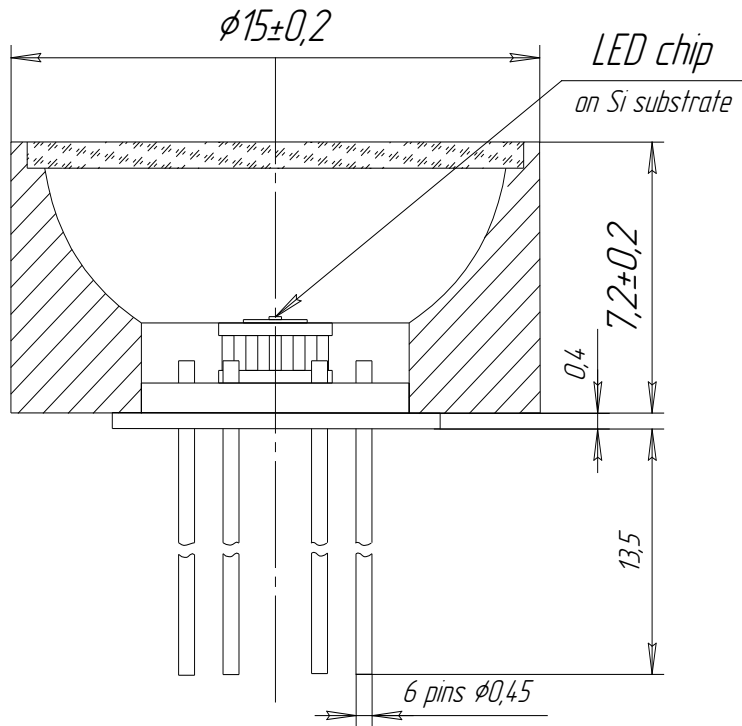
TOP VIEW

BOTTOM VIEW



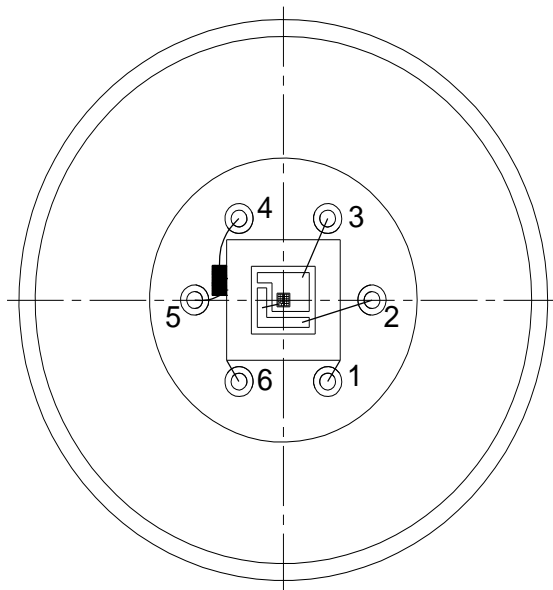
Technical Drawings

Lms16LED-TEM-R



- 1 - TEC +
- 2 - LED anode
- 3 - LED cathode
- 4 - thermistor
- 5 - thermistor
- 6 - TEC -

TOP VIEW



BOTTOM VIEW

