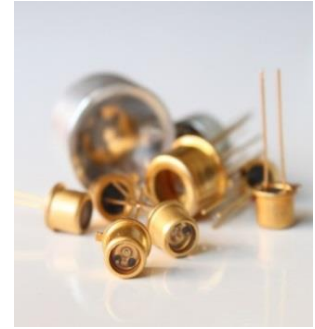


Lms38LED series



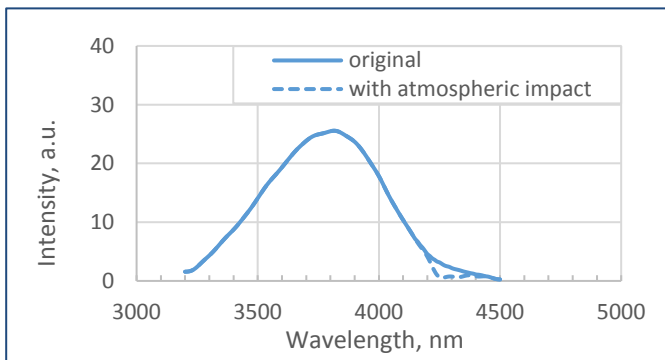
Device parameters	Symbol	Value	Units
Operating/ storage temperature	T_{stg}	-60..+90*	$^{\circ}\text{C}$
Soldering temperature (can be applied for not more than 5 secs)	T_{sol}	+180	$^{\circ}\text{C}$

*Temperature range may vary for different packaging types.

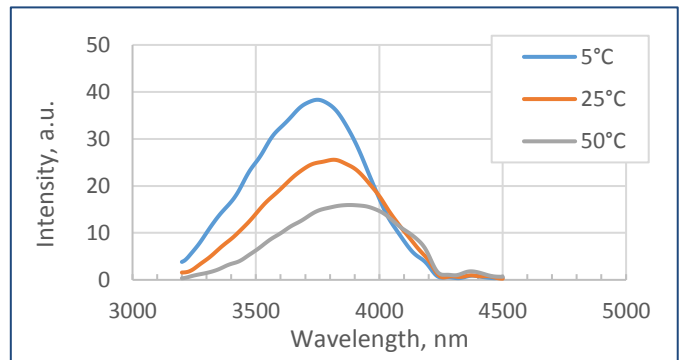
All parameters refer to LEDs in TO18 package with a cavity and operation at ambient temperature 25°C unless otherwise stated.

LED parameters	Conditions	Symbol	Value	Units
Peak emission wavelength ¹	qCW mode ³ $I = 150\text{ mA}$	λ_p	3.76 - 3.94	μm
FWHM of the emission band ¹	qCW mode ³ $I = 150\text{ mA}$	FWHM	400 - 700	nm
Average optical power (minimal / typical) ¹	qCW mode ³ $I = 200\text{ mA}$	P_{qcw}	min 12 / typ 40	μW
Peak optical power (minimal / typical) ²	Pulse mode ⁴ $I = 1\text{ A}$	P_{pul}	min 100 / typ 300	μW
Maximum operating current	qCW mode ³	$I_{max\ qcw}$	250	mA
	Pulse mode ⁴	$I_{max\ pulse}$	2	A
Forward voltage ¹	qCW mode ³ $I = 200\text{ mA}$	V	0.2 - 0.8	V

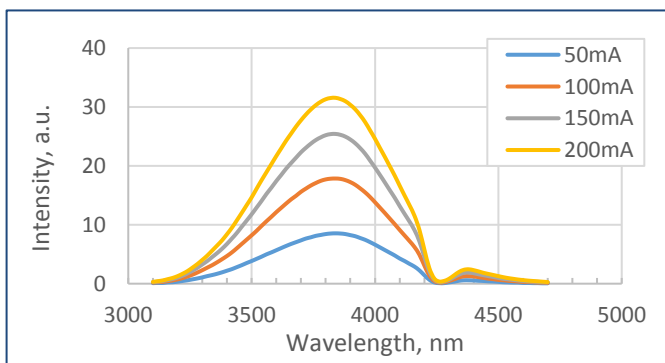
Typical spectrum (qCW³)



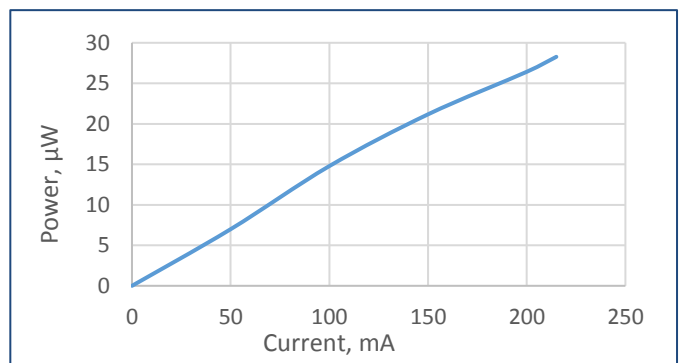
Spectra at different temperatures (qCW³, 150 mA)



Typical spectra at different currents (qCW³)



Typical optical power characteristic (qCW³)



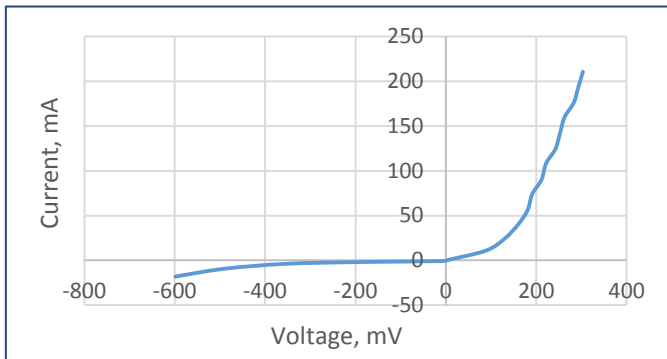
¹ Parameter tested for each device.

² Parameter tested for representative sampling.

³ qCW mode: repetition rate: 0.5 KHz, pulse duration: 1 ms, duty cycle: 50%.

⁴ Pulse mode: repetition rate: 0.5 KHz, pulse duration: 20 μs , duty cycle: 1%.

Typical current-voltage characteristic (qCW³)

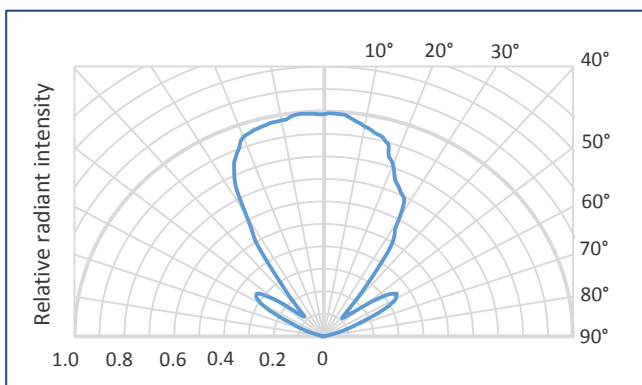


³qCW mode: repetition rate: 0.5 KHz, pulse duration: 1 ms, duty cycle: 50%.

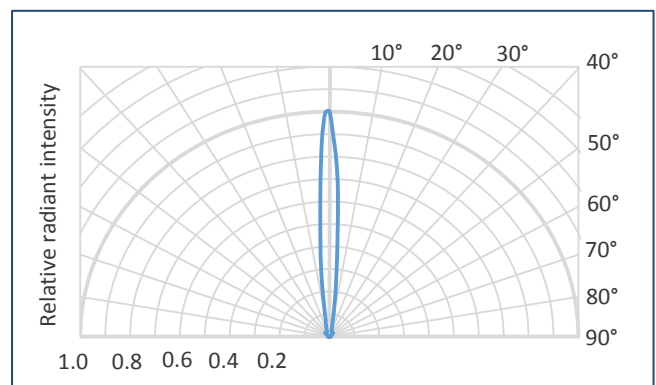
Packages	Model
TO-18 with a cap without a glass window	Lms38LED
TO-18 with a parabolic reflector without a glass window	Lms38LED-R
TO-18 with a parabolic reflector with a glass window	Lms38LED-RW
TO-5 with a built-in thermocooler and thermoresistor, covered by a cap with a glass window	Lms38LED-TEM
TO-5 with a built-in thermocooler and thermoresistor, covered by a parabolic reflector with a glass window	Lms38LED-TEM-R

Radiant characteristics (far-field pattern)

TO-18 package with a cap



TO-18 package with a parabolic reflector

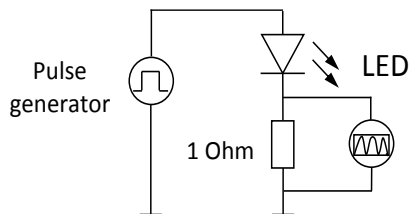


Related products:

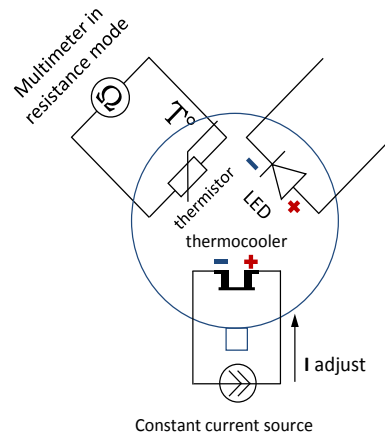
- **Photodiodes Lms43PD series** - detectors of mid-infrared radiation;
- **LED drivers (D-41i, D-51i, minidrivers mD-1c, mD-1p)** - provide LED power supply in pulse modes.

To drive the LED we recommend the following basic circuit connections:

LED basic circuit connection

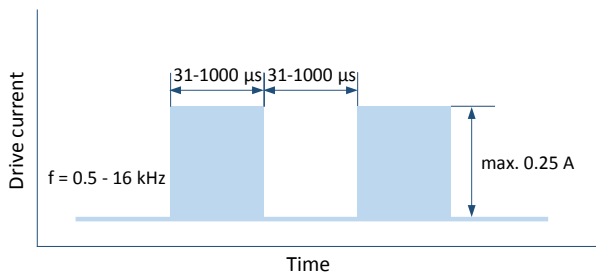


LED with thermoelectric module basic circuit connection

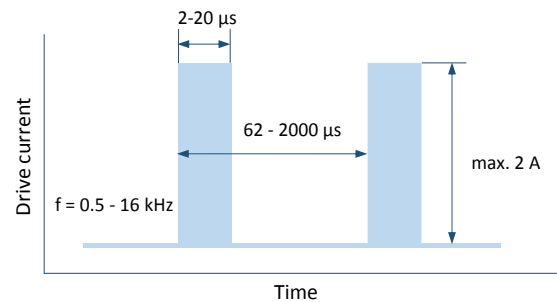


We recommend using **Quasi Continuous Wave (qCW) mode** with a duty cycle 50% or 25% to obtain maximum average optical power and short **Pulse modes** to obtain maximum peak power. Hard CW (continuous wave) mode is NOT recommended.

Quasi Continuous Wave (qCW) mode



Pulse mode

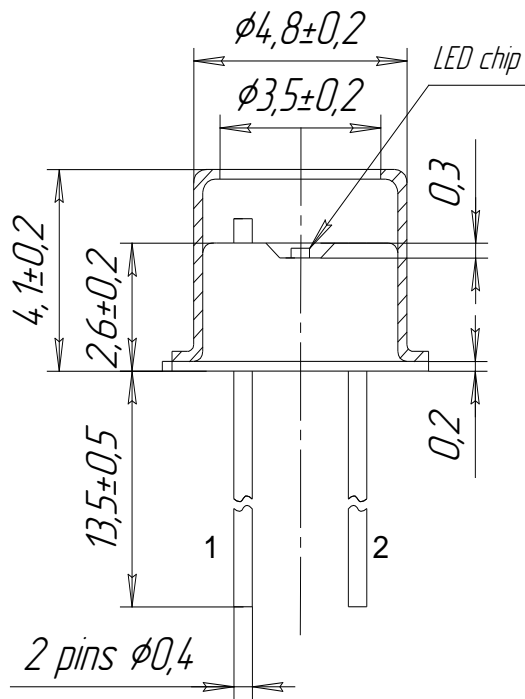


IMPORTANT CAUTIONS:

- please check your connection circuit before turning on the LED;
- please mind the LED polarity: anode is marked with a RED dot; REVERSE voltage applying is FORBIDDEN;
- please do not connect the LED to the multimeter;
- please control the CURRENT applied to the LED in order NOT to EXCEED the maximum allowable values.

Technical Drawings

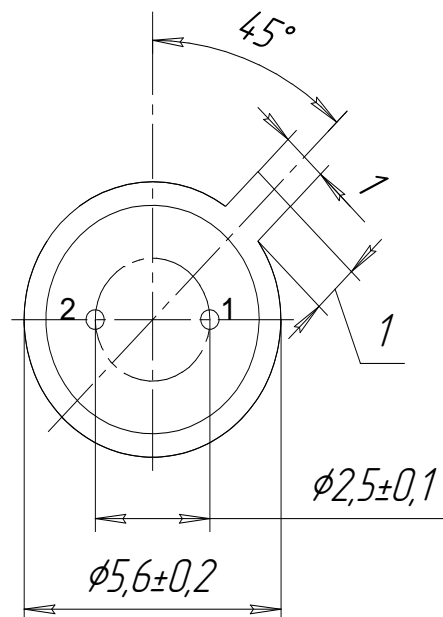
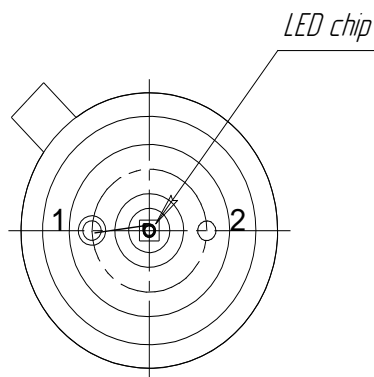
Lms38LED



1 - LED cathode
2 - LED anode

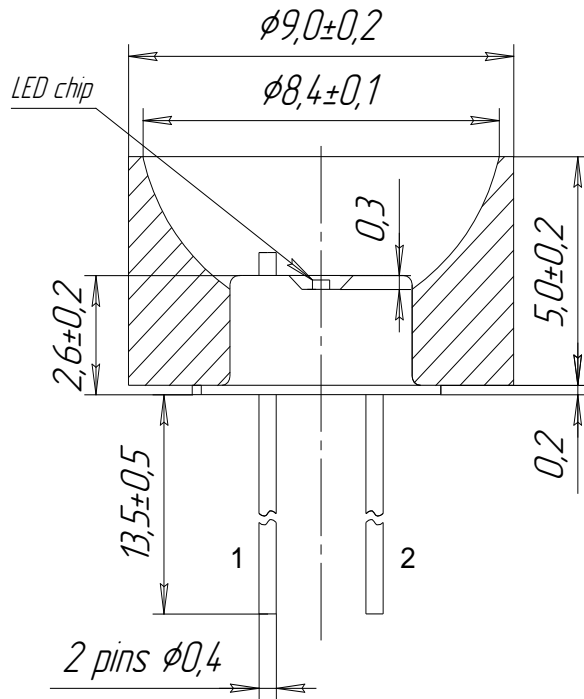
TOP VIEW

BOTTOM VIEW



Technical Drawings

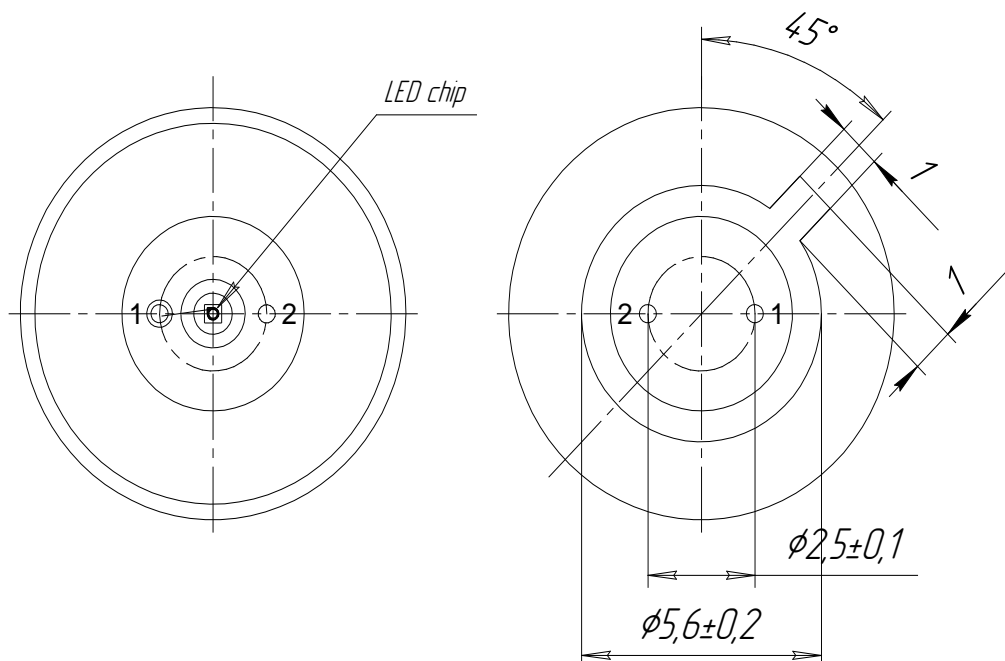
Lms38LED-R



1 - LED cathode
2 - LED anode

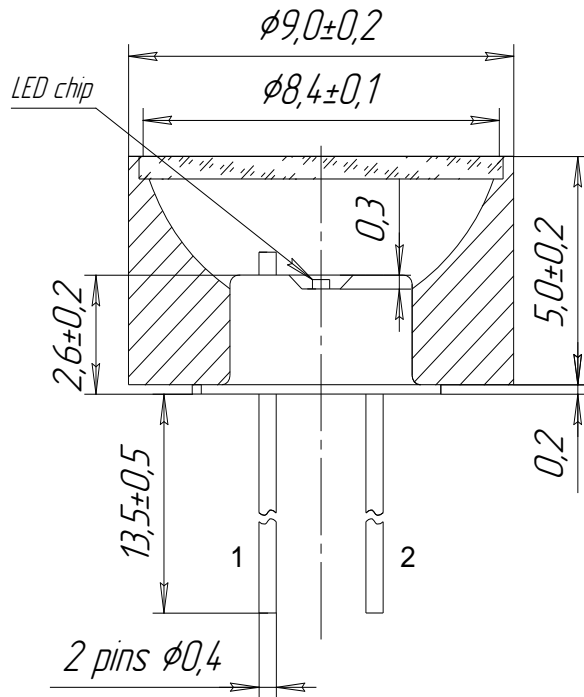
TOP VIEW

BOTTOM VIEW



Technical Drawings

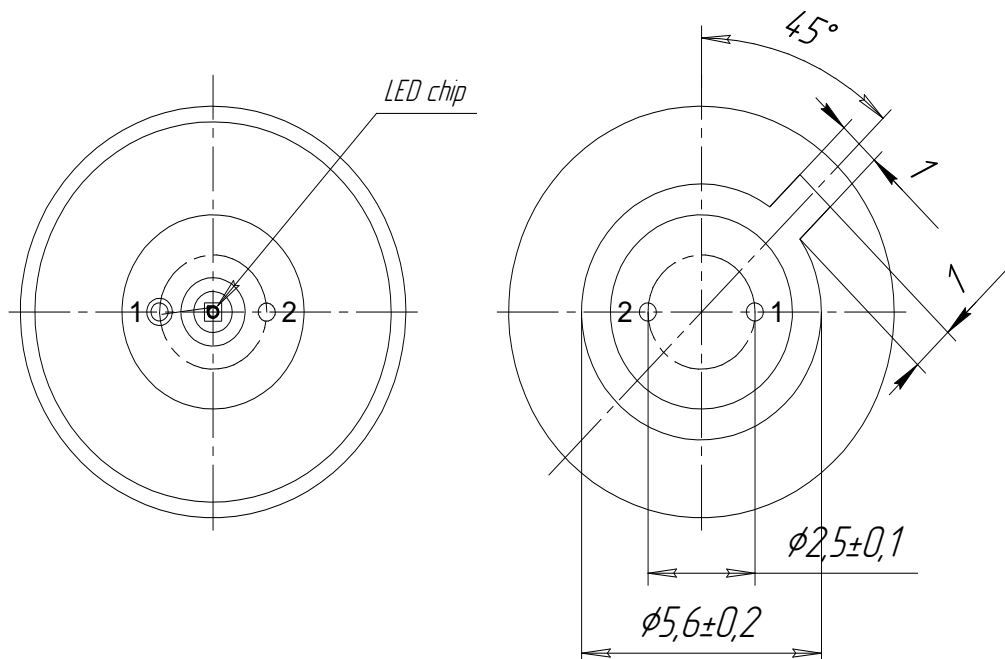
Lms38LED-RW



1 - LED cathode
2 - LED anode

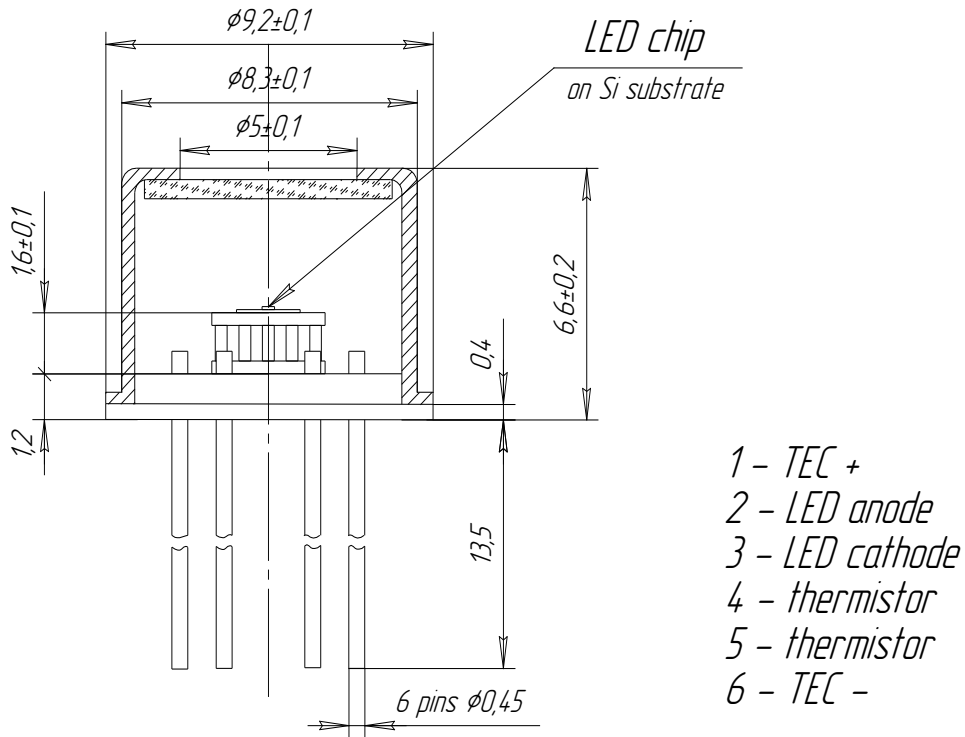
TOP VIEW

BOTTOM VIEW



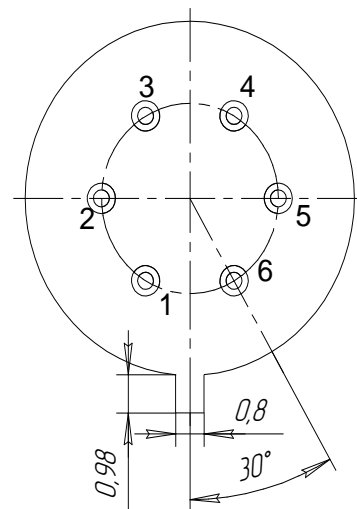
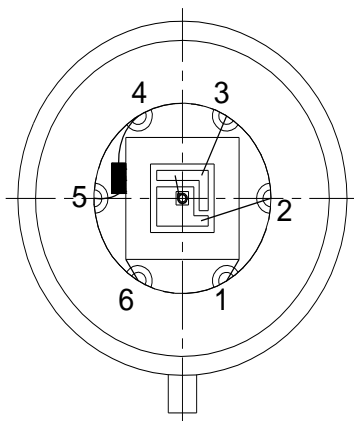
Technical Drawings

Lms38LED-TEM



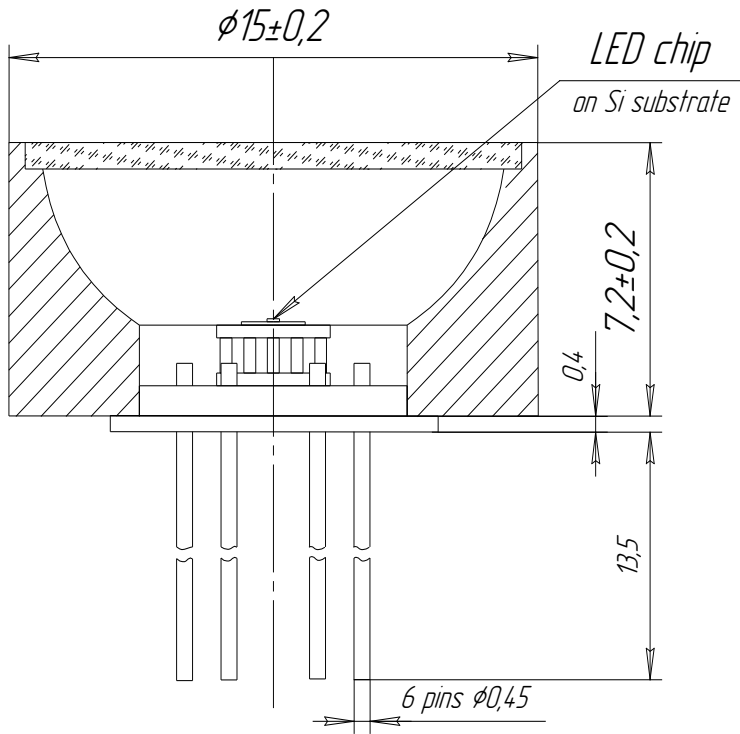
TOP VIEW

BOTTOM VIEW



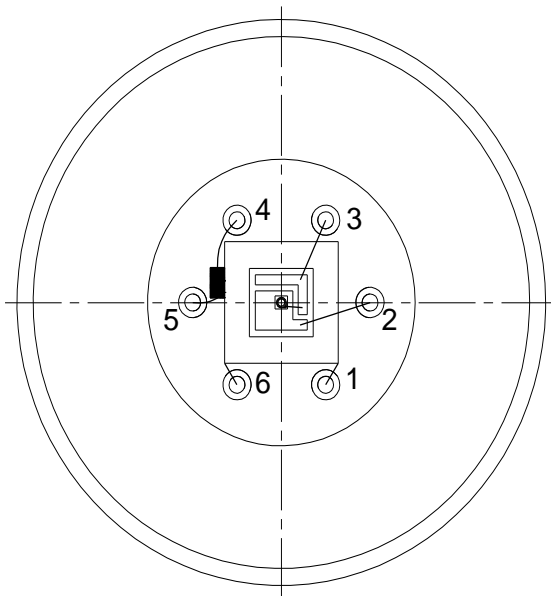
Technical Drawings

Lms38LED-TEM-R



- 1 - TEC +
- 2 - LED anode
- 3 - LED cathode
- 4 - thermistor
- 5 - thermistor
- 6 - TEC -

TOP VIEW



BOTTOM VIEW

